



SMS-685

Secure SwitchBox

Ethernet Router

- ◆ Fully managed Secure Ethernet Switch/Router in a stand-alone rugged enclosure
- ◆ Flexible copper and optical connectivity via rugged MIL-STD-38999 connectors:
 - 12 or 16 ports copper 10/100/1000Base-T
 - Up to 4 ports optical GbE (1000Base-SX)
 - Up to 2 ports optical 10GbE (10GBase-SR)
- ◆ High-performance Layer 2/3+ features
 - Wire-speed non-blocking IPv4/IPv6 support with extensive IETF RFCs support
 - Switching, Routing, VLAN, Multicast, QoS Features and Traffic Shaping
 - Flow Control, Port filtering, Port Mirroring, Trunking and Link Aggregation
- ◆ Enhanced Security Processor with extensive secure software support and hardware acceleration
 - Statefull Firewall, Access Control List (ACL) filtering, Network Address Translation (NAT)
 - Encryption/Decryption/Authentication
 - VPN with secure tunneling support (IPSec/I2TP)
 - Intrusion Detection and Prevention (IDS/IPS) and content filtering
- ◆ Flexible Management Features
 - Serial and in-band command line (CLI) management
 - HTTP/Web and SNMP support
 - SSH, SSL security features
 - Dedicated Ethernet maintenance port
- ◆ Extensive Built-in Test (BIT) support
 - Power-up, Initiated, and Continuous BIT
- ◆ Natural convection chassis operates -40°C to +55°C
- ◆ 28V vehicle power with transient protection
- ◆ Industry leading technical and life-cycle management support

The SMS-685 Secure SwitchBox Router provides Ethernet switching and routing for high-speed networks. Designed to add security to network traffic, the Secure SwitchBox Router is ideal for building Intra-Platform Networks (IPNs) where data security is paramount.



The SMS-685 offers 12 or 16 ports of copper Ethernet connectivity, supporting 10Base-T, 100Base-TX, and 1000Base-T links. Auto-negotiation and auto-MDI/MDIX support ensures trouble-free interfacing.

The SMS-685 also provides up to five additional ports of optical Ethernet supporting a mix of 1GbE (1000Base-SX) or 10GbE (10GBase-SR) optical interfaces.

Addressing the growing need for secure network communications, the SMS-685 is an ideal solution to prevent unauthorized access to critical information for applications deployed in air, land, and sea platforms. Securing possible entries of attack, the Secure SwitchBox Router can be used to secure a data storage network, or protect mission critical applications from viruses, IP Spoofing, Denial of Service (DoS), Trojans, and other forms of hostile attack.

Part of an extensive line of Ethernet routers from Curtiss-Wright Controls Embedded Computing, the SMS-685 supports an extensive set of Layer 2 and Layer 3 switching and routing features. Its flexible management interfaces, including a familiar industry standard CLI for setup and configuration, as well as SNMP and Web management interfaces, accelerate development time to market and simplify maintenance support. In addition, special features like Immediate Key Purge and Declass (secure memory erase) make the SMS-685 ideal for building and securing tactical deployed networks.

Learn More

Sales Info: sales.cwembedded.com

Sales Email: sales@cwembedded.com

ABOVE & BEYOND

**CURTISS
WRIGHT** Controls
Embedded Computing
cwembedded.com



Photo courtesy of General Dynamics Land Systems Inc.

Fact Sheet

SMS-685 Secure SwitchBox Ethernet Router

Table 1: Specifications

Dimensions	9" x 5.75" x 4"
Weight	5.0 kg
Power	Input Requirement: +28VDC nominal Power Dissipation: TBD
Environmental	Natural Convection -40°C to +55°C

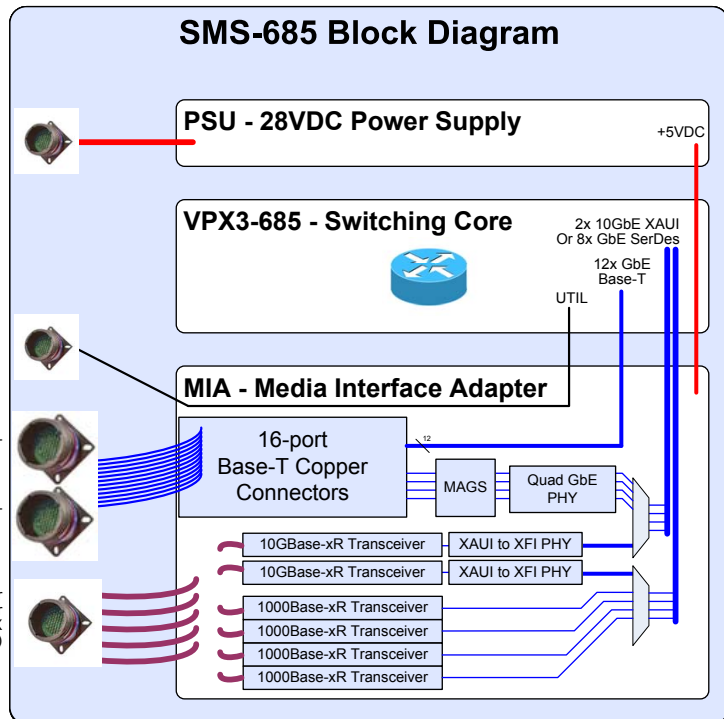


Table 2: Ordering Information

Part Number	Copper 1000Base-T Ports	Optical 1000Base-SX Ports	Optical 10GBase-SR Ports	Description
SMS-685-24012	12	0	0	SMS-685 Secure SwitchBox Router, 12x 1000Base-T copper ports, Layer 2/3+features, IPv4/v6, VLANs, Multicast, QoS, Enhanced Security System, CLI/ Web/SNMP Management, Declass
SMS-685-24414	12	0	2	SMS-685 Secure SwitchBox Router, 12x 1000Base-T copper ports, 2x 10GBase-SR 10GbE optical ports, Layer 2/3+features, IPv4/v6, VLANs, Multicast, QoS, Enhanced Security System, CLI/ Web/SNMP Management, Declass
SMS-685-24817	12	4	1	SMS-685 Secure SwitchBox Router, 12x 1000Base-T copper ports, 4x 1000Base-SX 1GbE optical ports, 1x 10GBase-SR 10GbE optical ports, Layer 2/3+features, IPv4/v6, VLANs, Multicast, QoS, Enhanced Security System, CLI/ Web/SNMP Management, Declass
SMS-685-26717	16	0	1	SMS-685 Secure SwitchBox Router, 16x 1000Base-T copper ports, 1x 10GBase-SR 10GbE optical ports, Layer 2/3+features, IPv4/v6, VLANs, Multicast, QoS, Enhanced Security System, CLI/ Web/SNMP Management, Declass
SMS-685-26220	16	4	0	SMS-685 Secure SwitchBox Router, 16x 1000Base-T copper ports, 4x 1000Base-SX 1GbE optical ports, Layer 2/3+features, IPv4/v6, VLANs, Multicast, QoS, Enhanced Security System, CLI/ Web/SNMP Management, Declass