



Data Sheet

# AVDU-3824

## 15" Multi-function Aircraft Display



### Features

- ◆ Very high-brightness display
- ◆ Picture-in-Picture (PIP), sized and positioned on the screen by user menu
- ◆ Multiple video inputs, with instant switching between inputs to view
- ◆ Digital freeze frame
- ◆ SCALAR digital zoom
- ◆ NVG Filter option
- ◆ Touch screen interface option
- ◆ Joystick for use with moving map or to control display functions
- ◆ High-Definition (HD) video input option

Typically the AVDU-3824 will be used in conjunction with multi-sensor FLIR cameras, moving maps and video recorder/s where the control over signal input, moving map functionality and video recorder control is gained from the display.

In addition to control of up to two video recorders the AVDU-3824 shows recording status and can give warning of recording errors.

Alternatively the AVDU-3824 can be used by OEM's where up to 24 soft keys and/or a touch screen interface is required to control other external equipment.

Like all AVDU series displays, the AVDU-3824 offers a wide range of video and VGA compatibility and gives the user a choice of inputs to satisfy most applications. As standard, the display offers excellent video quality and features such as PIP, video freeze frame, video zoom and full range dimming.

The front button key legends can be customized to match the installation.

For night vision goggle operation we can fit a dual LED backlight. This gives the operator bright, clear and colorful daylight images readable in direct sunlight and an NVG compatible filtered display for night time operations.



Learn More

Web / [sales.cwembedded.com](http://sales.cwembedded.com)

Email / [sales@cwembedded.com](mailto:sales@cwembedded.com)

**ABOVE & BEYOND**



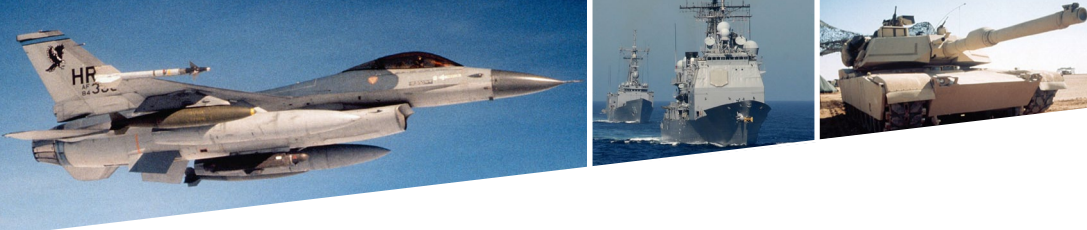


Table 1: Specifications

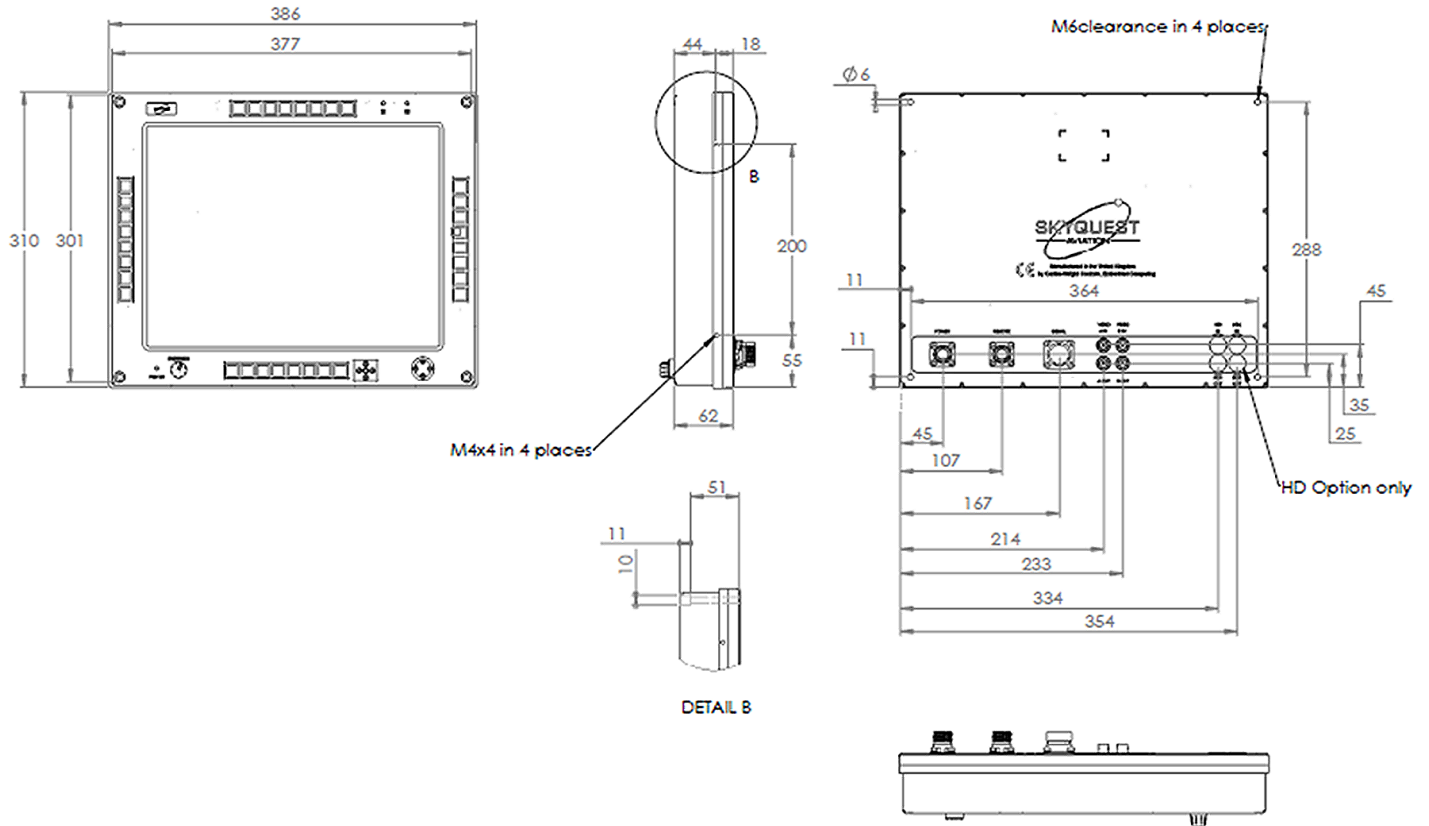
Physical	
Display Resolution	1024 x 768 (XGA)
Dimensions	386mm x 310mm x 62mm (not including connectors)
Weight	<6kg (option dependant)
Power	28V DC
Power Consumption	48W
Video Input Standards	<ul style="list-style-type: none"> <li>Composite video</li> <li>S-Video (Y/C)</li> <li>Component video (YCbCr) or RGB video or STANAG 3350/B/C (default)</li> </ul>
Serial Digital HD/SD Video Option	Two BNC HD-SDI input/output connectors  The inputs can accept either of the following signal formats <ul style="list-style-type: none"> <li>HD-SDI - SMPTE-292M and ITU-R BT.709-4 (720p, 1080i) 1.485Gbits/sec; or</li> <li>SD-SDI - SMPTE-259M and ITU-R BT.656 16 bit 4:2:2 standards 270Mbits/sec (480i, 576i).</li> </ul>
Graphics Formats Supported	Standard VESA VGA, SVGA, XGA, SXGA & UXGA (scaled)
Connectors	D38999 Power, Signals and Remote connections
Environmental	
Designed to meet RTCA/D0-160D	

Table 2: AVDU-3824-xx-yy and can be configured using these part numbers

Part Number	Description
AVDU	Indicates that the product is a display (Advanced Visual Display Unit)
38	Indicates the screen diagonal in cm (Approximate)
24	This denotes the variant of the display in this series
xx	This denotes the type of front screen fitted:  01: Contrast enhancing filter 02:NVG filter with etched front surface  51: Touchscreen with contrast enhancing filter 52: Touchscreen with NVG filter 53: Touchscreen with clear class front surface  72: Dual LED backlight with NVG filtering and touchscreen
yy	This denotes the configuration of the keys and controls. Before a number can be assigned the keys requirements should be discussed with you Curtiss-Wright Controls Embedded Computing sales person.
Options (add to end of part number)	
HD	High Definition (HD-SDI) option
HT	Heater option
DN	Day/Night – NVG external switch option
SP	PS2 Serial Interface Option
SN	Keyboard/Mouse Serial Interface Option
S2	RS232 Serial Interface Option
S4	RS422 Serial Interface option



Figure 1: AVDU-3824 Mechanical Diagrams



## Warranty

This product has a one year warranty.

## Contact Information

To find your appropriate sales representative:

Website: [www.cwembedded.com/sales](http://www.cwembedded.com/sales)

Email: [sales@cwembedded.com](mailto:sales@cwembedded.com)

## Technical Support

For technical support:

Website: [www.cwembedded.com/support](http://www.cwembedded.com/support)

Email: [support1@cwembedded.com](mailto:support1@cwembedded.com)

The information in this document is subject to change without notice and should not be construed as a commitment by Curtiss-Wright Controls Embedded Computing. While reasonable precautions have been taken, Curtiss-Wright assumes no responsibility for any errors that may appear in this document. All products shown or mentioned are trademarks or registered trademarks of their respective owners.