



Data Sheet

AVDU-1618

6.5" VGA Multi-function LCD Display



Features

- ◆ Multiple video inputs
- ◆ VGA/graphic/computer input
- ◆ Honeywell/Skyforce moving map interface
- ◆ NVG option
- ◆ Video freeze frame
- ◆ Picture-in-Picture (PIP)
- ◆ Video zoom
- ◆ Compact design

Designed as a compact, lightweight display, the AVDU-1618 combines the full functionality of our larger displays, including a full interface to the Honeywell/Skyforce Observer moving map system. In addition, the unit can accept multiple video inputs and an input from a graphics source, such as a PC or map system. Features such as PIP, video freeze frame and video zoom enable the unit to be used as a primary viewing source in surveillance applications. The unit is fully sunlight readable and is also available with NVG filters.

Learn More

Web / sales.cwembedded.com

Email / sales@cwembedded.com

ABOVE & BEYOND



**CURTISS
WRIGHT** Controls
Embedded Computing
cwembedded.com



Table 1: General Specifications

Physical	
Dimensions	204 mm (w) x 150 mm (h) x 77 mm (d) 8.03" (w) x 5.91" (h) x 3.03" (d)
Weight	2.3 kg (5.06 lbs)
Electrical	
Input Voltage	28 VDC
Video and Graphic Signals	
Video Input Standards	<ul style="list-style-type: none"> Composite video, S-video (Component video (YCbCr) or RGB video or STANAG 3350/B/C) PAL, NTSC & SECAM
Graphic Input Standards	
Standard	VESA VGA, SVGA, XGA, SXGA, UXGA
Connectors	
Power	D38999/20WB 98PN
Signal	D38999/20WD 35PN
Remote	D38999/20WB 35SN
Display Performance	
Resolution	640 x 480 pixels
Viewing Area	135.5 mm (w) x 99.6 mm (h) 5.331" (w) x 3.92" (h)
Pixel Pitch	0.207 mm (w) x 0.207 mm (h) 0.01" (w) x 0.01" (h)
Pixel Configuration	RGB vertical stripe
Viewing Angle	<ul style="list-style-type: none"> Right: 60° Left: 60° Down: 60° Up: 40°
Grey Scale Capacity	64 grey scale
Viewing Angle	<ul style="list-style-type: none"> Horizontal: +/-45° Vertical: +10° to -30°
Luminance at Optimum Viewing Angle	<ul style="list-style-type: none"> Max: >1600 cd/m² Min: <17 cd/m² (max 1850 cd/m²)
Contrast Ratio at Optimum Viewing Angle	>150:1

Table 2: Environmental Performance
(to EUROCAE/ED-14D and RTCA/DO-160D)

Section	Category
4 - Temperature & Altitude	Category A1 This unit is considered satisfactory for operation up to an altitude of 25,000 ft un-pressurized.
5 - Temperature Variation	Category C
6 - Humidity	Category A
7 - Operational Shocks & Crash Safety	Category B <ul style="list-style-type: none"> Operating: 6 g 11/ms Non-operating: 15 g/11ms
8 - Vibration	Category R + U (equiv: DO-160C Helicopter -Test curve 'N', 1.5 g p-p)
9 - Explosion Proofing	N/A Category A Equipment located within the passenger cabin.
10 - Waterproofing	Category W
11 - Fluid Susceptibility	Category F
12 - Sand & Dust	Category D
13 - Fungus Resistance	N/A Category F
14 - Salt Spray	N/A Category S
15 - Magnetic Effect	Category A The unit has no perceivable effect when mounted within 460 mm (18") of an aircraft magnetic compass.
16 - Power Input	Category B
17 - Voltage Spike	Category A
18 - Audio Frequency	Category Z
19 - Induced Susceptibility	Category B
20 - RF Susceptibility (Radiated & Conducted)	Category S
21 - RF Emission	Category B
22 - Lightning Induced Transients	Not considered
23 - Lightning Direct Effects	Not considered
24 - Icing	Not considered
25 - Electrostatic Discharge	Category A



Figure 1: AVDU-1618 Dimensional Diagrams

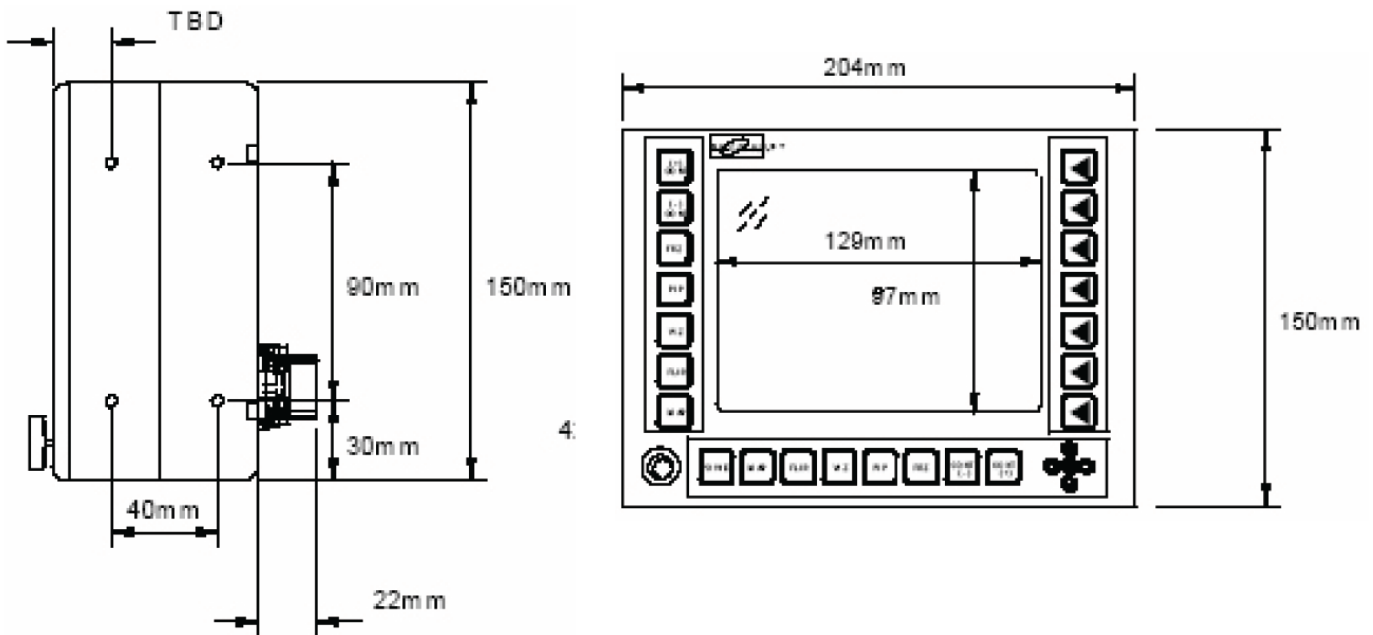


Table 3: The AVDU-1618-xx-yy is configured using the following options

Part Number	Description
AVDU	Indicates this product is a Display (Advanced Visual Display Unit)
16	Indicates the screen diagonal in cm (approximate)
18	This denotes the variant of the display series
xx	This denotes the type of front screen fitted: 01: Filter, Polycarbonate, Anti-reflective front surface (etched), contrast enhancing 02: Filter, Polycarbonate, Anti-reflective front surface (etched), NVG(Green)
yy	This denotes the configuration of the keys and controls. Before a number can be assigned the keys requirements should be discussed with your Curtiss-Wright Controls Embedded Computing sales person.
Additional Options	
SP	PS2 Serial Interface (keyboard output to digital map)

Warranty

This product has a one year warranty.

Contact Information

To find your appropriate sales representative, please visit:

Website: www.cwembedded.com/sales

Email: sales@cwembedded.com

Technical Support

For technical support, please visit:

Website: www.cwembedded.com/support1

Email: support1@cwembedded.com

The information in this document is subject to change without notice and should not be construed as a commitment by Curtiss-Wright Controls Embedded Computing. While reasonable precautions have been taken, Curtiss-Wright Controls assumes no responsibility for any errors that may appear in this document. All products shown or mentioned are trademarks or registered trademarks of their respective owners.